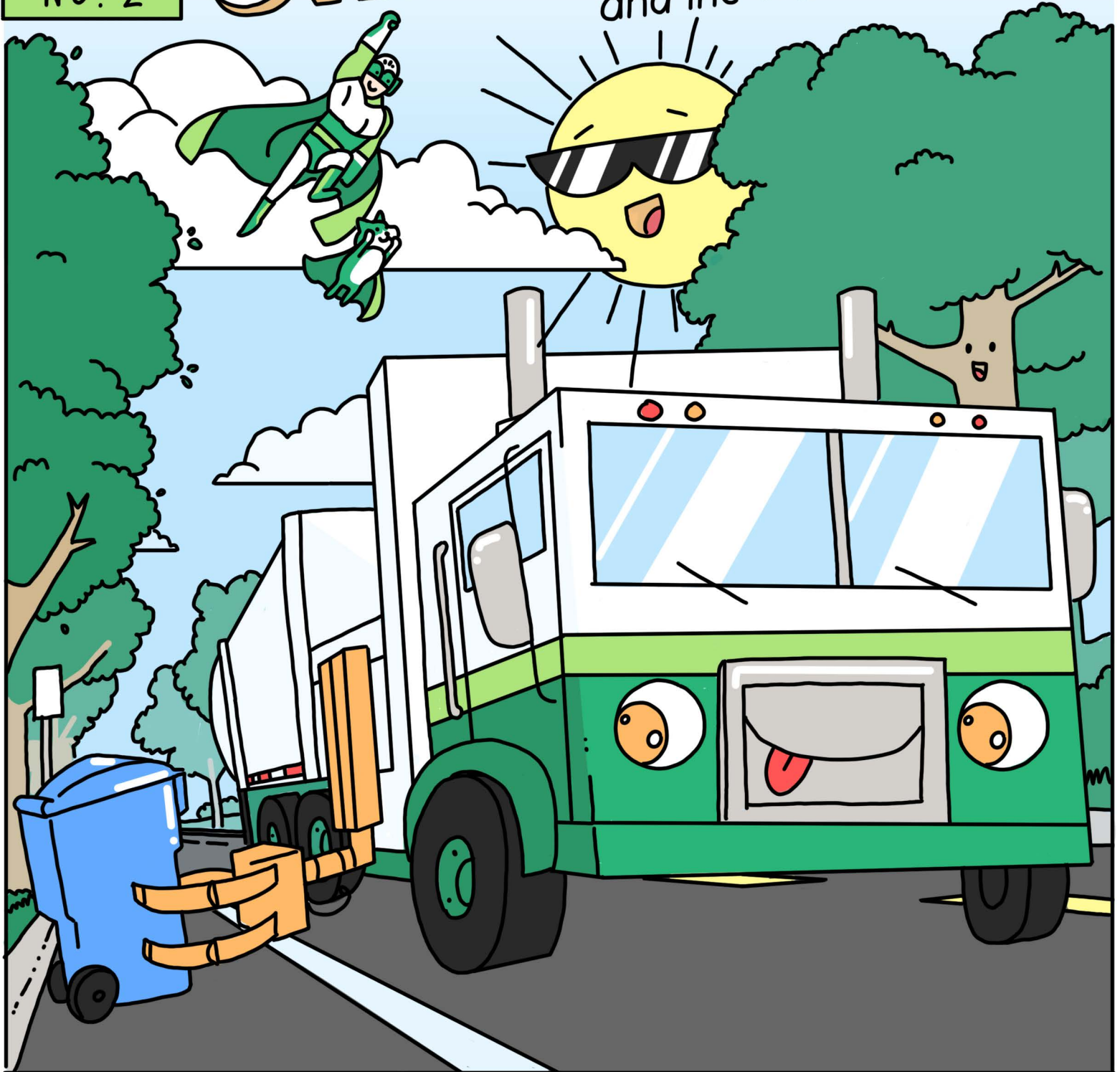


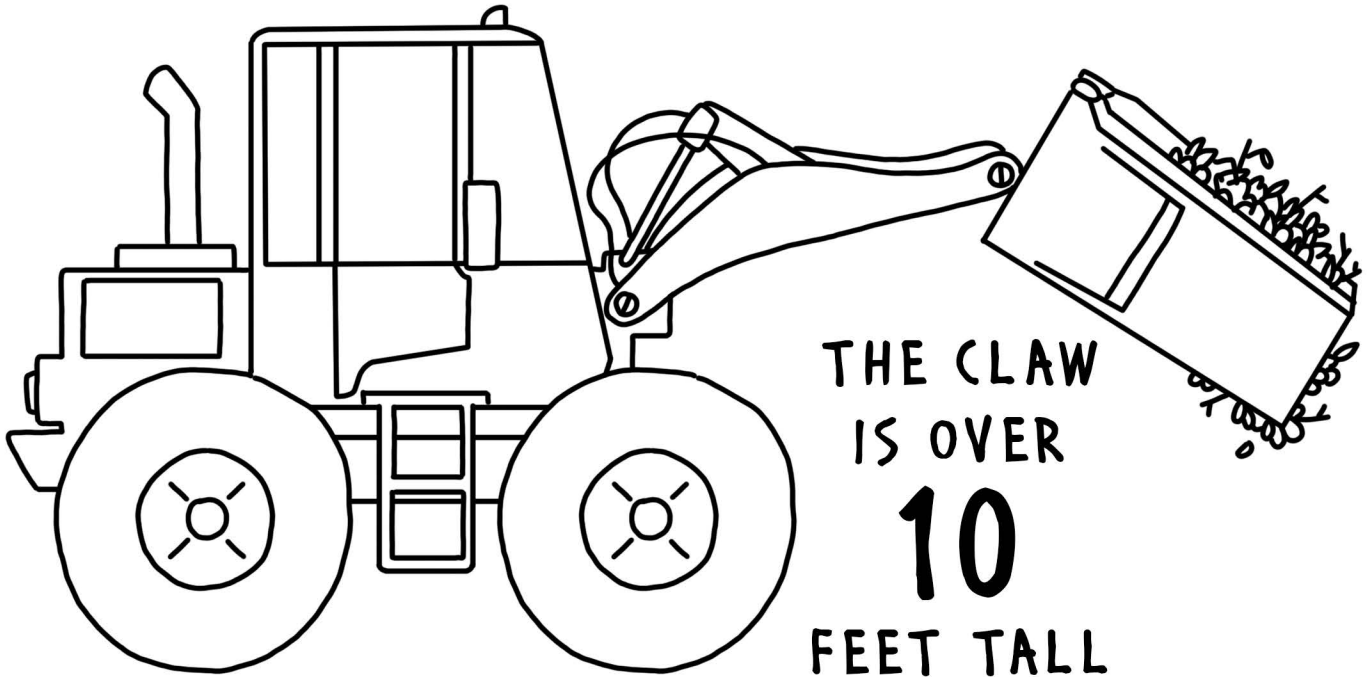


CAPTAIN GREENWASTE

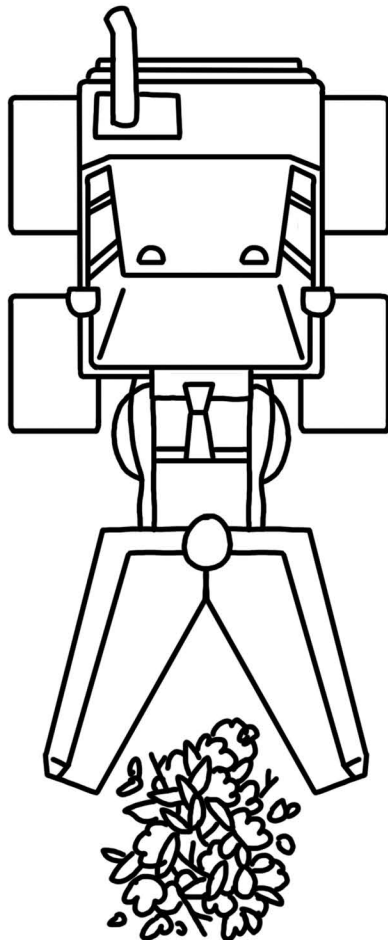
and the Waste Avengers



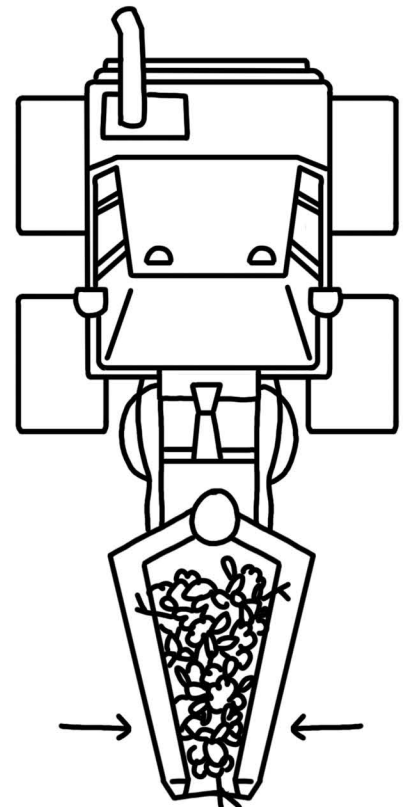
GREENWASTE HAS MANY TYPES OF TRUCKS AND TRACTORS



IN SAN JOSE YOU'LL SEE THE CLAW LOADER

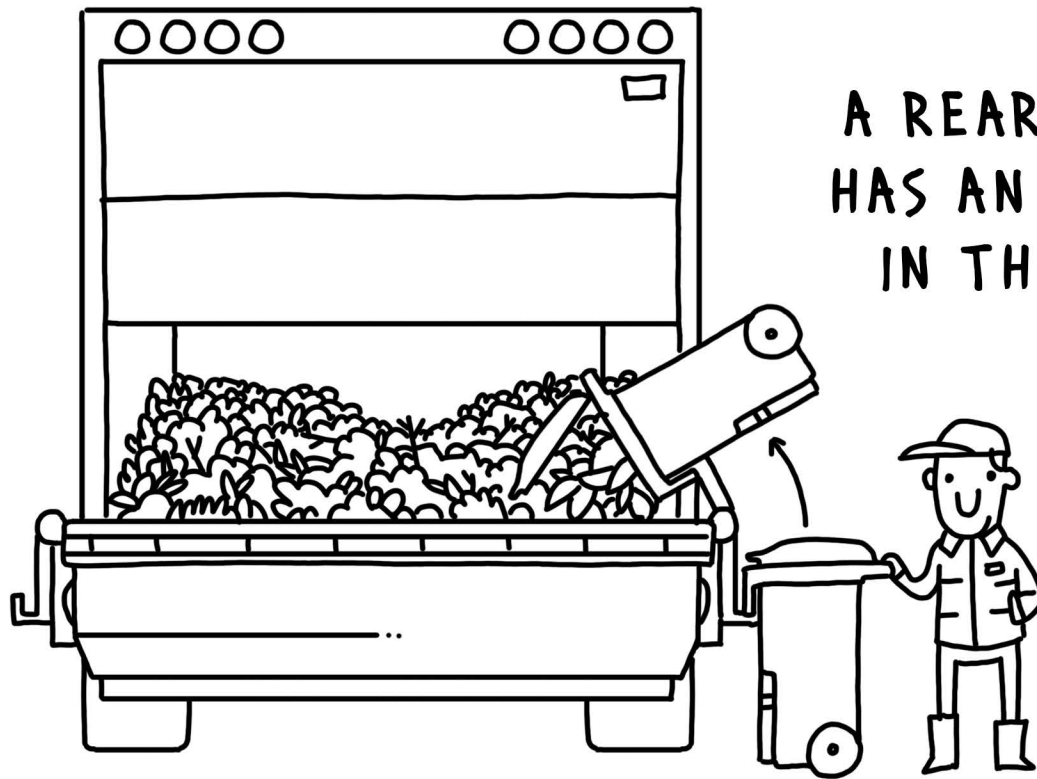
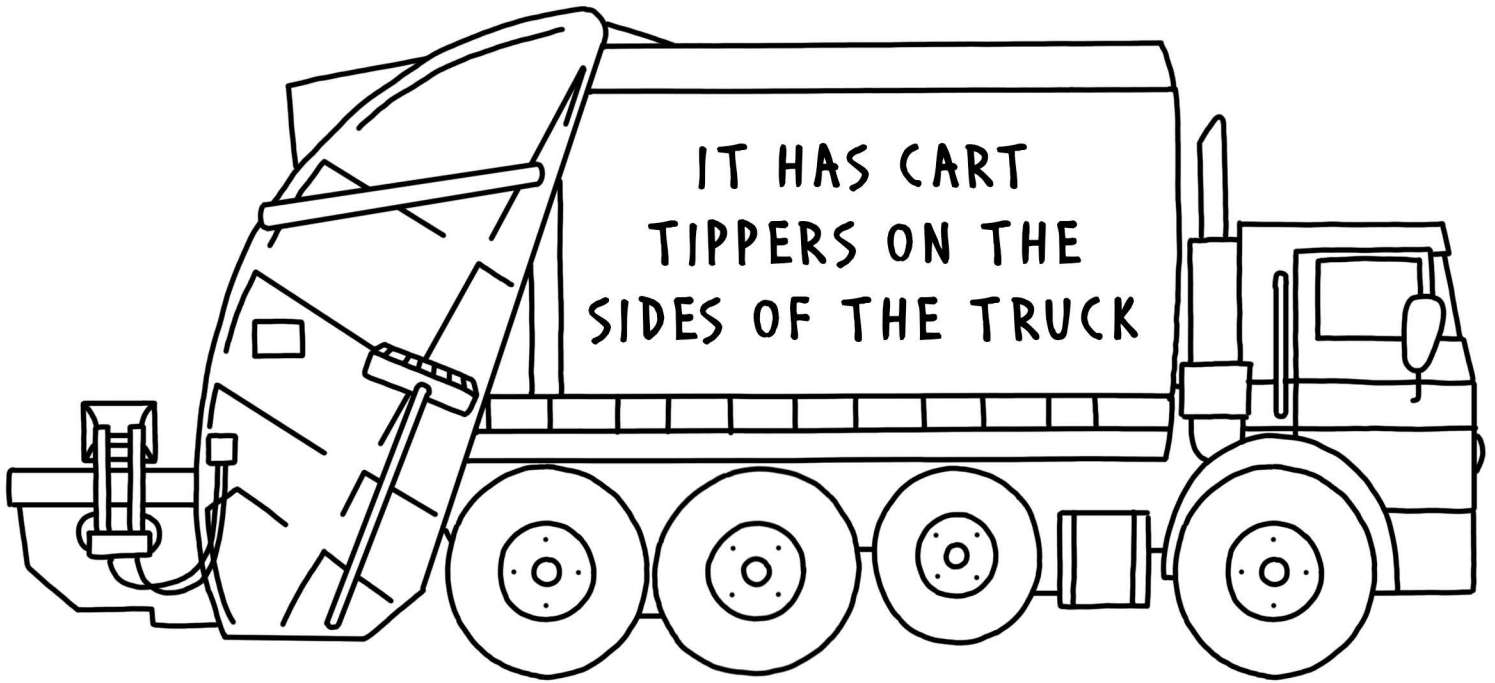


THIS IS USED TO COLLECT CLEAN YARD TRIMMINGS



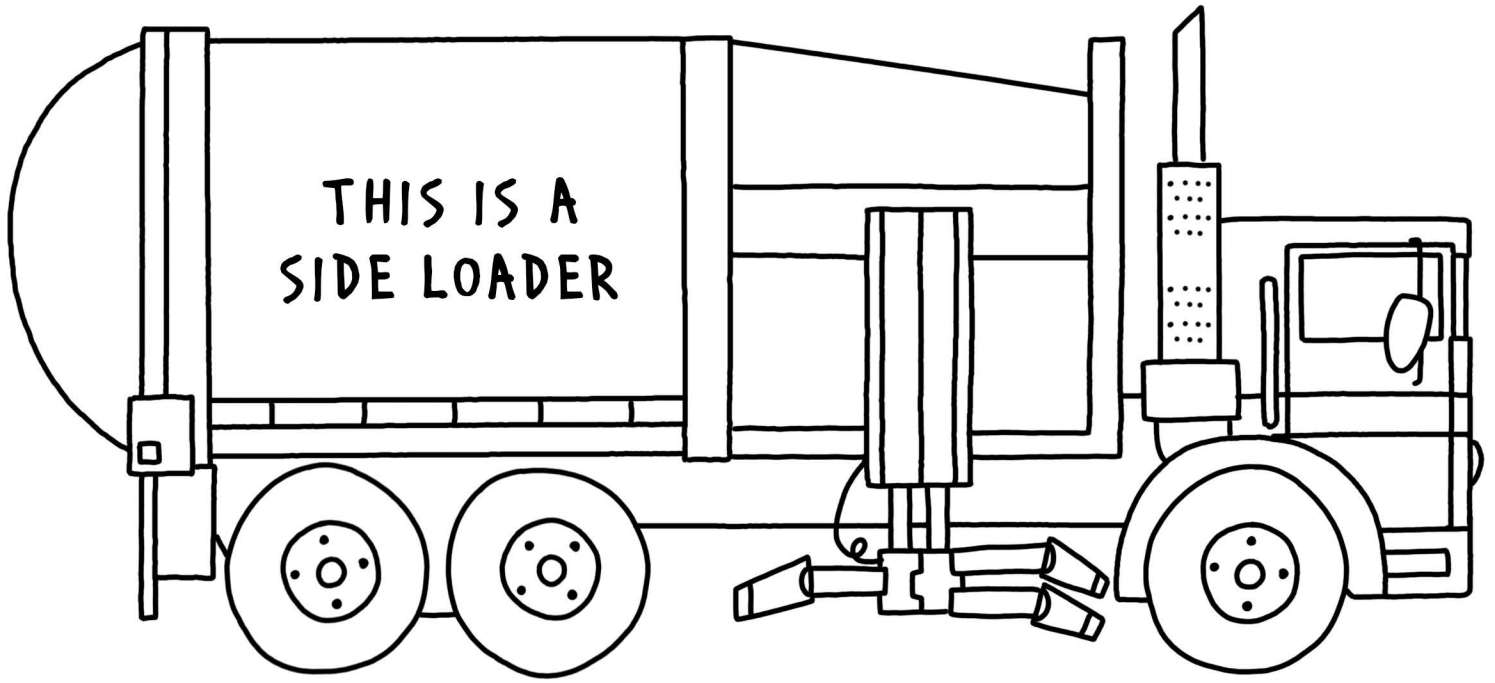
THE CLAW CAN MOVE UP DOWN AND SIDE TO SIDE

THIS IS A REAR LOADER

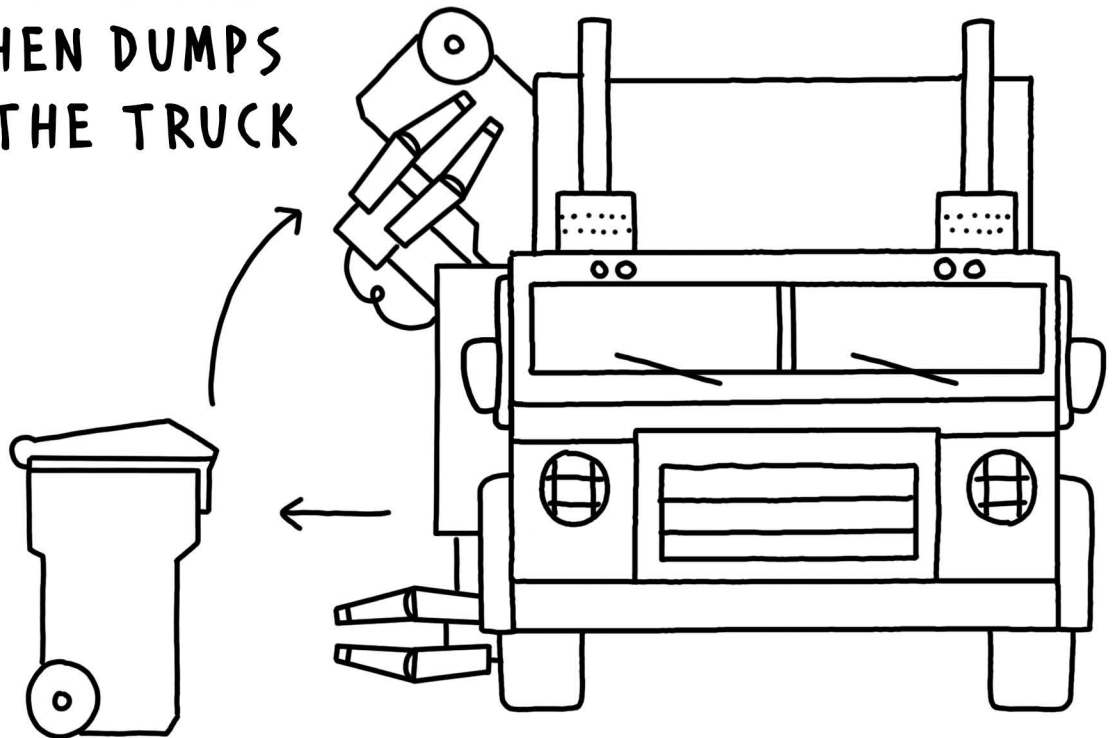


A REAR LOADER
HAS AN OPENING
IN THE BACK

THIS TRUCK WORKS ALONGSIDE
A CLAW LOADER TO PICK UP PILES

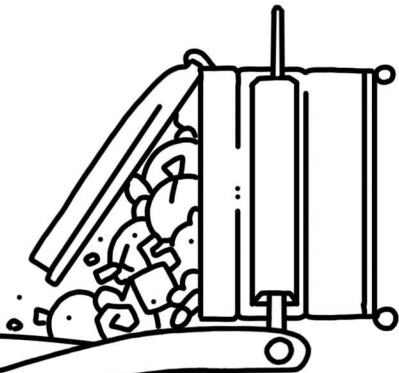
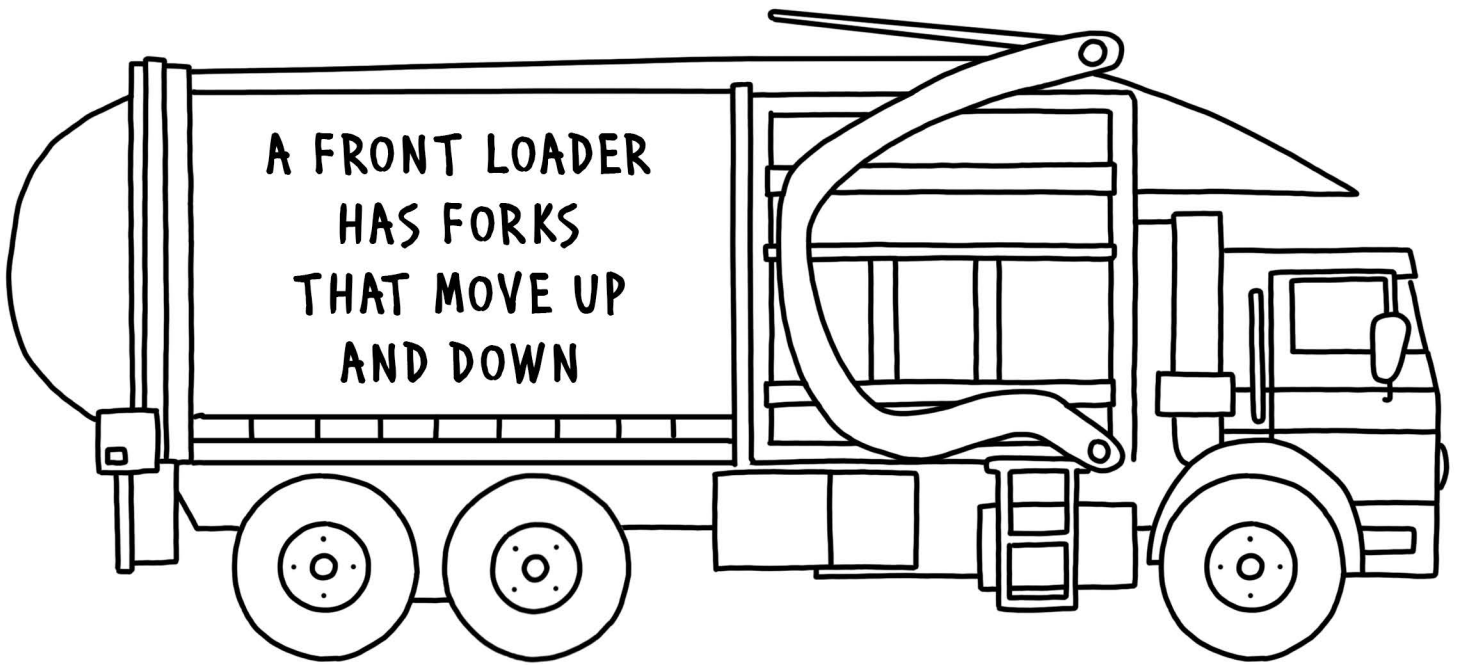


IT HAS A MECHANICAL
ARM THAT GRABS
CARTS THEN DUMPS
THEM IN THE TRUCK

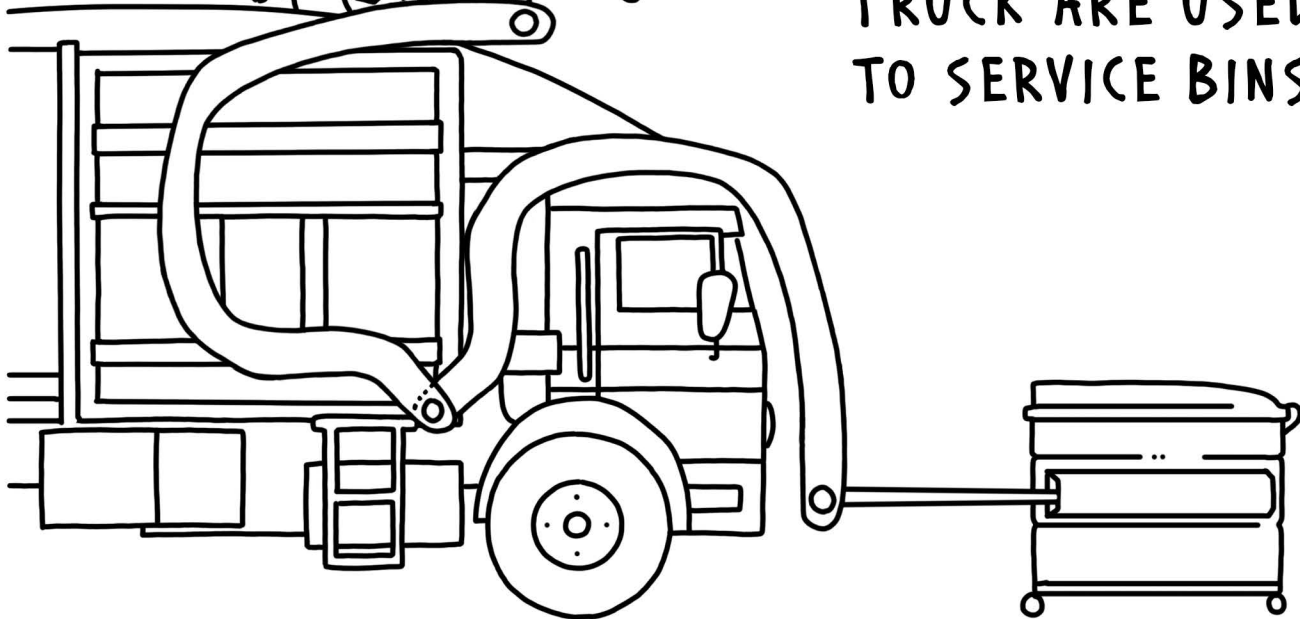


BONUS FACT: GREENWASTE OF PALO ALTO
OPERATES A FIRST OF ITS KIND
SIDE-LOADING ELECTRIC TRUCK

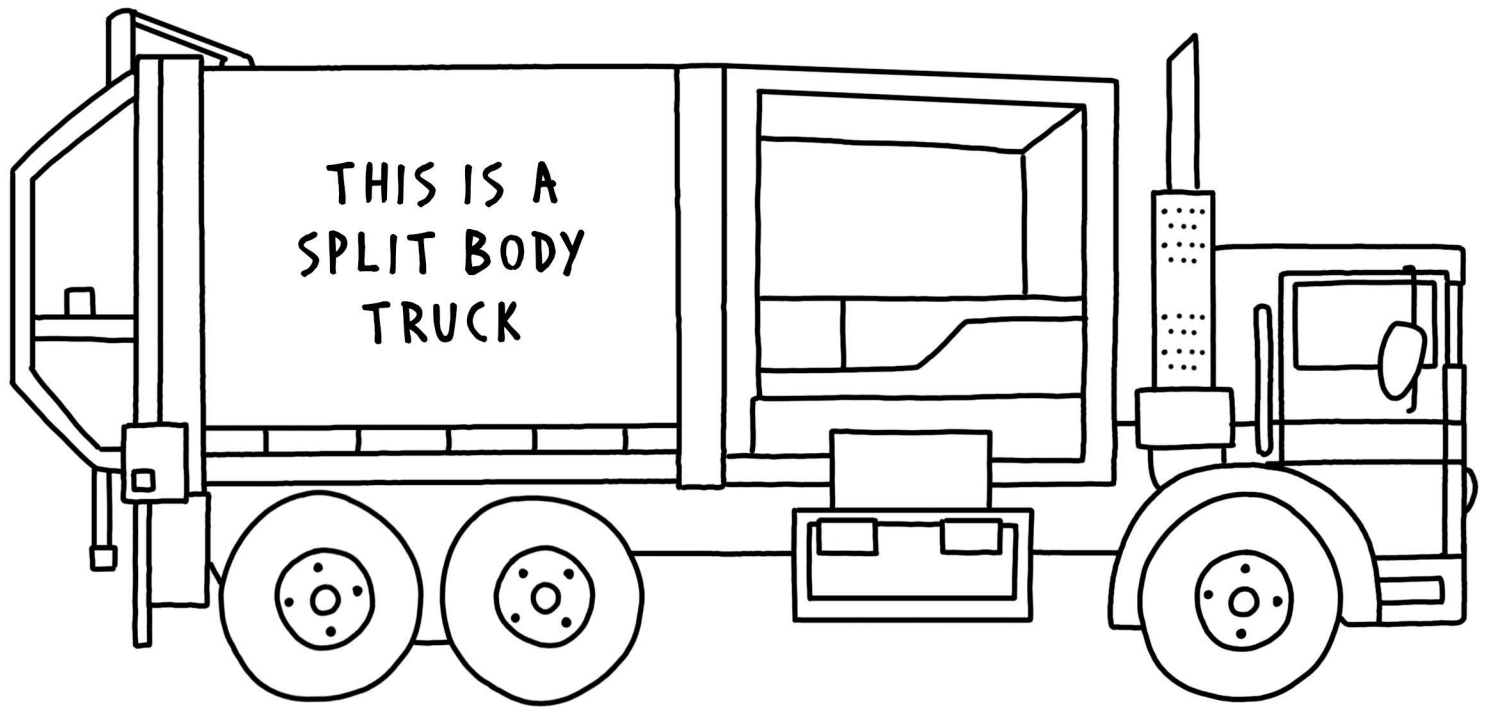
THIS IS A FRONT LOADER



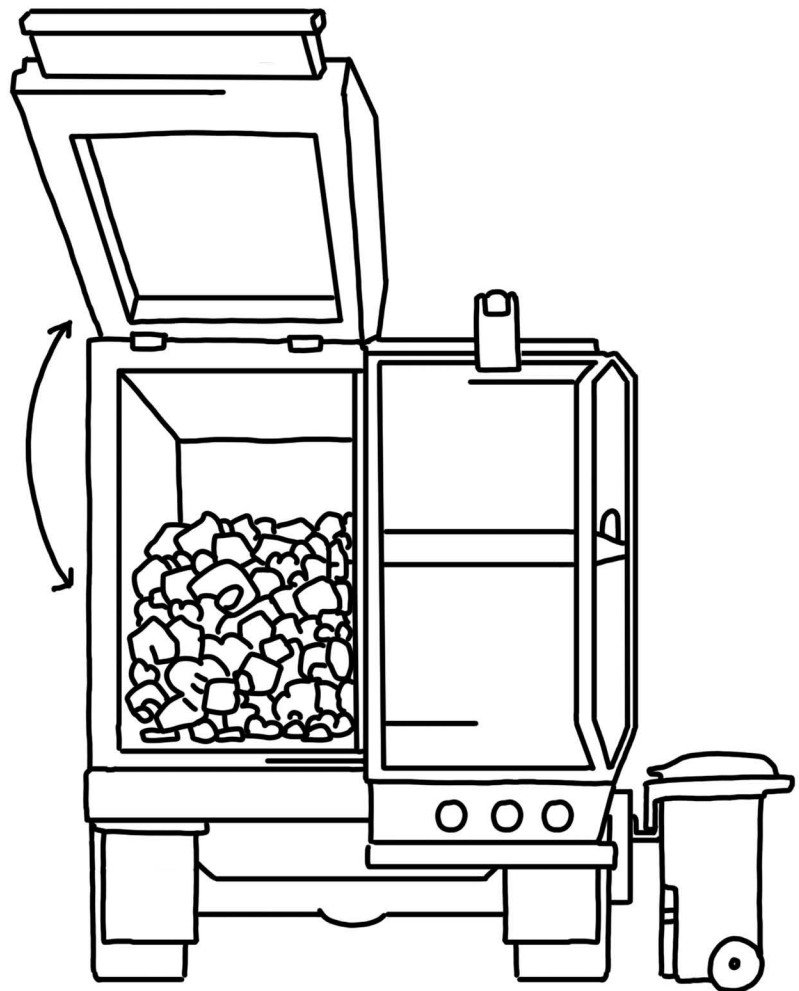
THE FORKS ON THE TRUCK ARE USED TO SERVICE BINS



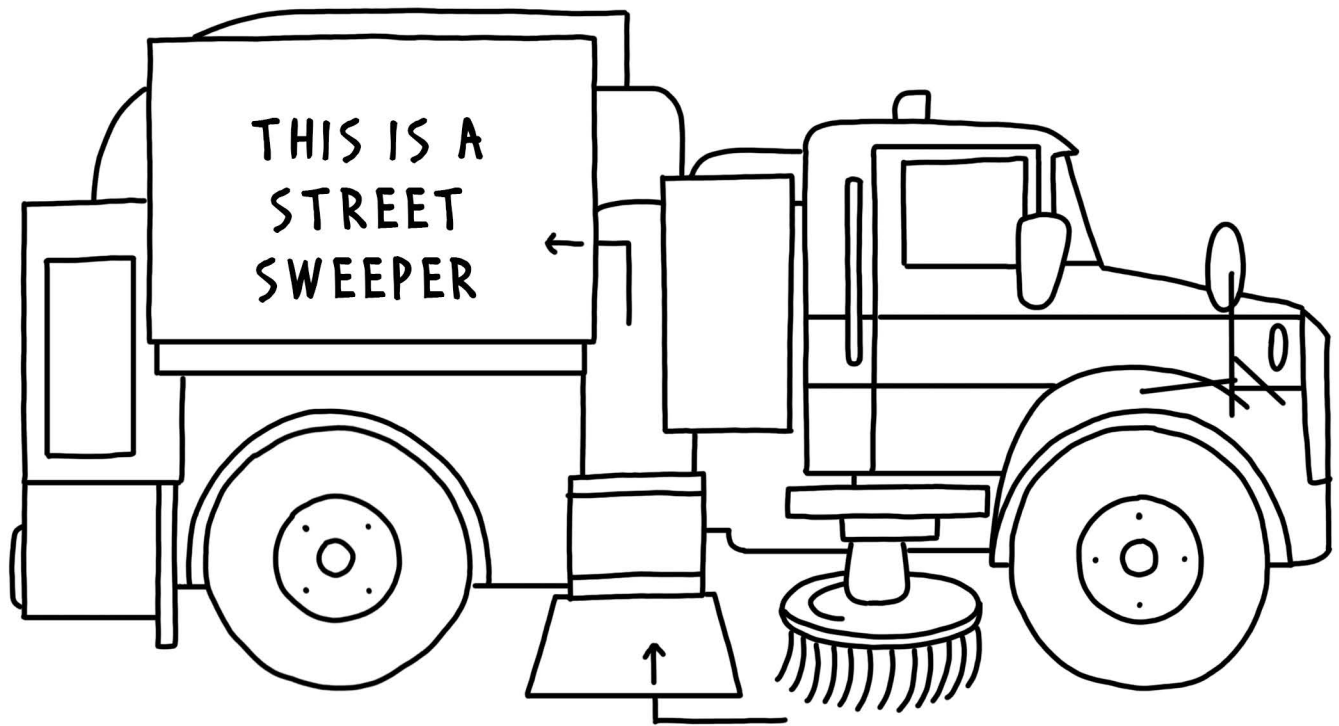
THE MATERIAL IS DUMPED INTO AN OPENING AT THE TOP OF THE TRUCK



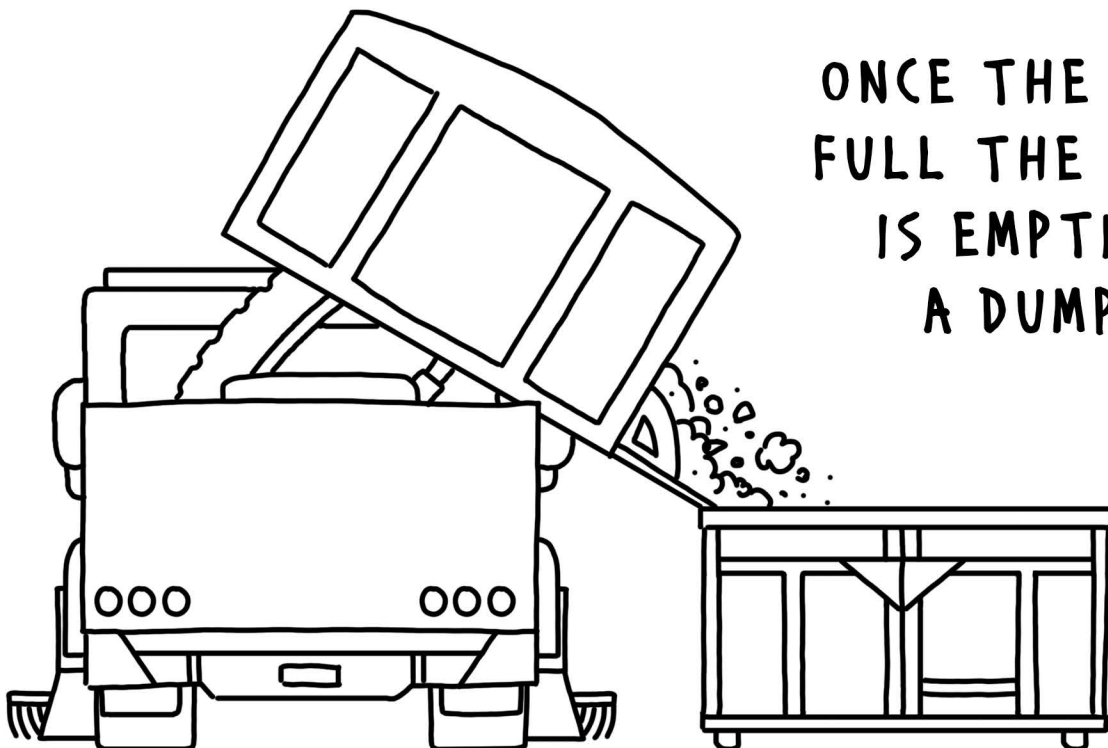
IT HAS TWO
COMPARTMENTS
SO DRIVERS
CAN COLLECT
TWO DIFFERENT
MATERIALS ON
THE SAME TRIP



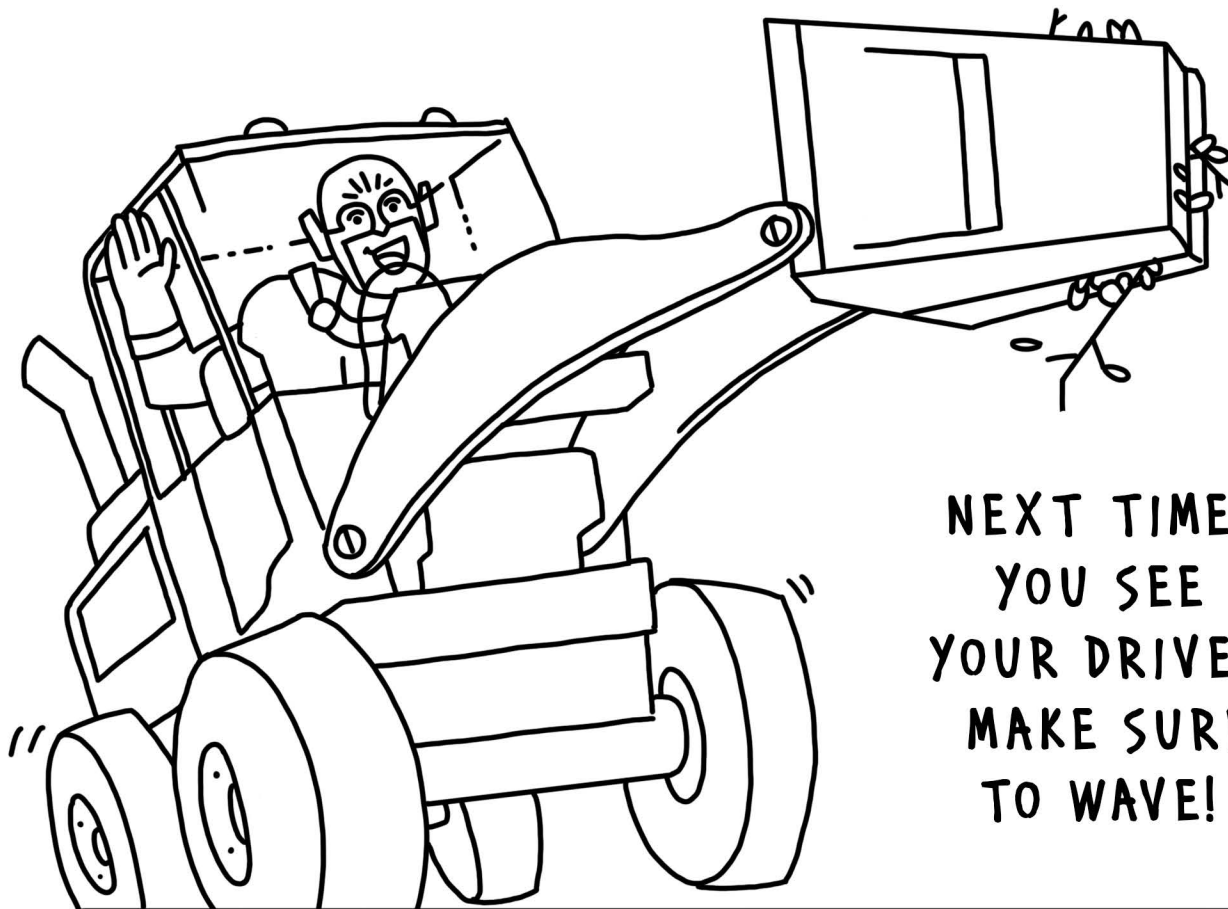
THIS TRUCK REDUCES THE AMOUNT
OF VEHICLES ON THE ROAD



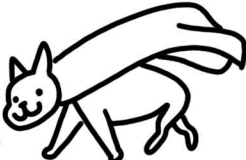
THE TRUCK HAS A VACUUM AND
ROTATING BROOM THAT KEEPS ITEMS FROM
ENDING UP IN THE STORM DRAIN



ONCE THE TRUCK IS
FULL THE MATERIAL
IS EMPTIED INTO
A DUMPSTER



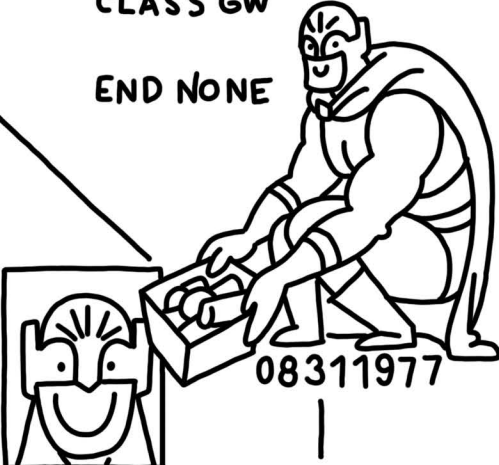
NEXT TIME
YOU SEE
YOUR DRIVER
MAKE SURE
TO WAVE!

California, USA GW DRIVER LICENSE 

DRAW YOURSELF ↴

DL 1234568 CLASS GW
 EXP 01/01/2040 END NONE
 LNCARDHOLDER
 FNIMA {

DOB _____
 RSTR NONE



08311977

HGT _____

HAIR _____

WGT _____

EYES _____

SIGN _____

DD 00/0/000NNAN/NFD/YY

ISS
08/31/2019